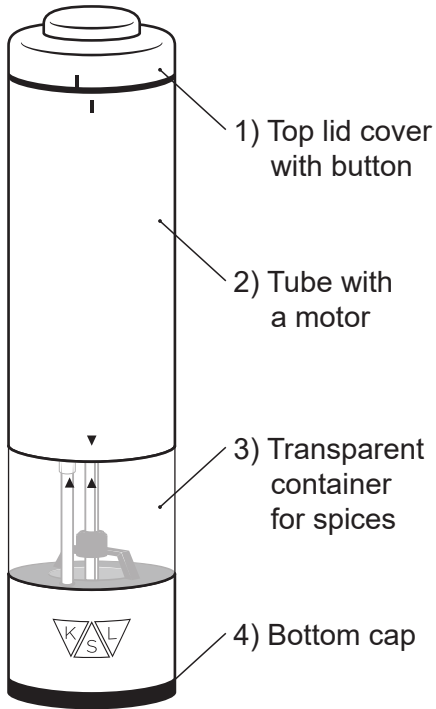




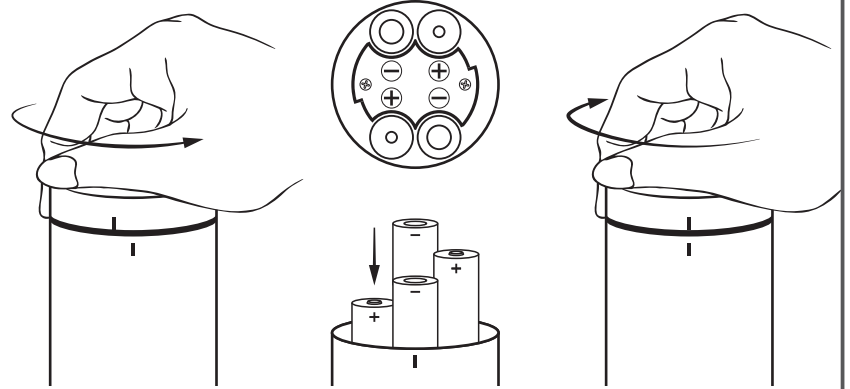
ELECTRIC GRINDER SET

support@ksl-company.com

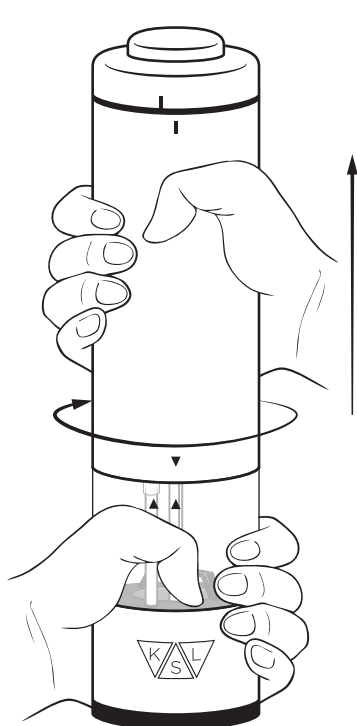
ksl-company.com



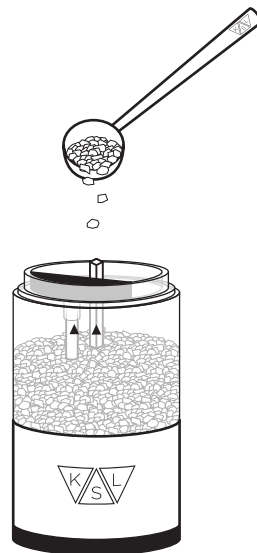
Loading the batteries



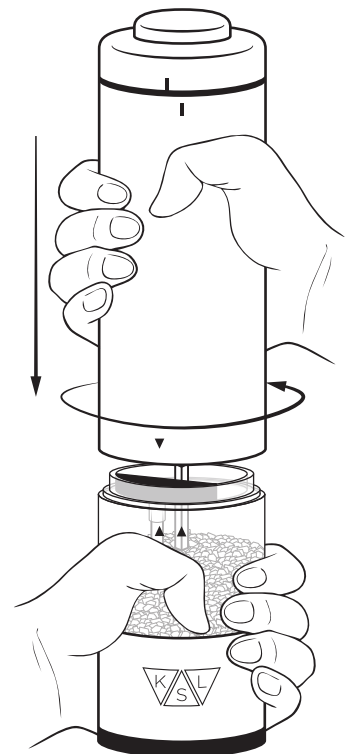
Spices loading



1. Open the middle cover by turning clockwise rotation. Pull and separate the upper console from the container base to load pepper or salt.

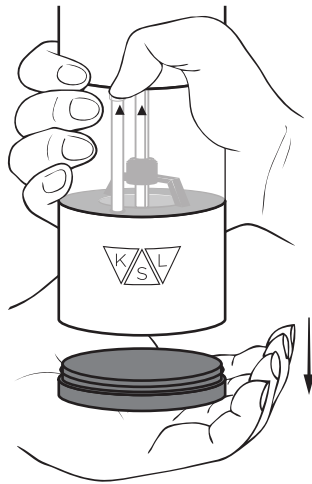


2. With the help of KSL spoon fill up to 80% full for smooth operation

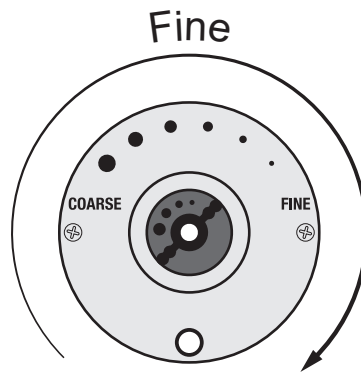


3. Put upper console back while aligning the "arrow" symbol from the middle cover to the "unlock" symbol on the container base. Once the middle cover is securely fastened onto the container base, rotate counterclockwise until it clicks.

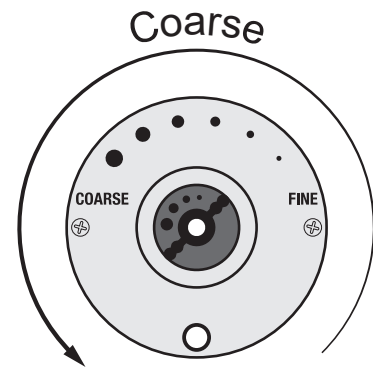
Grinding size adjustment



1. Remove the black cap from the bottom of the Grinder.



2. For fine grind adjust the control screw on the underside of the Grinder and turn clockwise.



3. For coarse grind turn the control screw counterclockwise rotation.

Specification

- Size: 8,3 x 2,0 inches
- Weight: 12,8 oz.
- Spices container capacity: 2,2 oz.

Attention!

- Wipe with a damp cloth or paper towel to clean. Do not immerse in water.
- Keep out of reach of children under 4 years.

If you have untwisted a grinder:

Attention! When choosing the grind size, be careful not to unscrew the grinder completely. If this still happened, then collect grinder with the help of a circuit. All parts are important and must be installed in their order, as it is shown below.

